

How to identify chain only and belt compatible systems

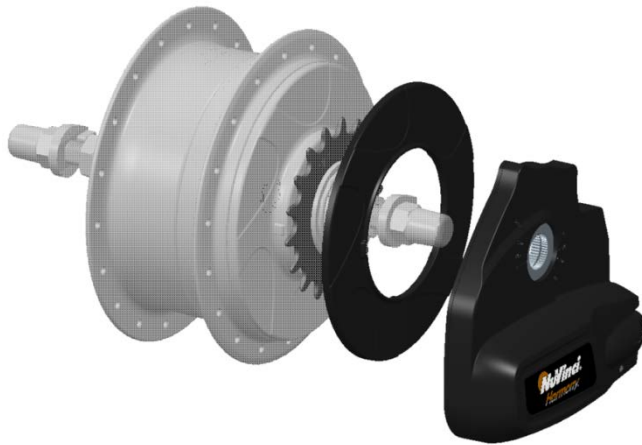


NUVINCI CYCLING EUROPE | Fallbrook Technologies Int. | Popovstraat 12 | 8013 RK Zwolle, The Netherlands | europe@fallbrooktech.com | www.nuvincicycling.com
NUVINCI CYCLING USA | Fallbrook Technologies Inc. | 2620 Brushy Creek Loop | Cedar Park, Texas 78613 USA | www.fallbrooktech.com

Harmony variants

Difference between chain only and belt compatible systems

- The different systems can be identified through the variation of the output speed encoder.
- Both output speed encoders are mounted on the cover of the CVP.
- The “chain only” variant has a wider ring color matched to the CVP, which is clipped to the CVP
- The “belt compatible” variant has a thinner ring in black, which is mounted next to the flange and an additional sprocket encoder.



*Chain only systems with wider ring



*Belt compatible systems with two thin rings

Intellectual Property Notice



This presentation and the information contained in it except information attributed to other sources are the exclusive property of Fallbrook Technologies Inc. and are protected by one or more patent, trade secret, trademark, copyright and other laws. Any reproduction, distribution, or modification of any of the content of this presentation or any of the information contained in it in any manner without the express permission of Fallbrook Technologies Inc. is strictly prohibited.

Fallbrook Technologies and their associated logos are trademarks or registered trademarks of Fallbrook Technologies Inc. and all rights are expressly reserved.

NuVinci Cycling Support and Service – Europe

Fallbrook Technologies International

Popovstraat 12
8013 RK Zwolle, The Netherlands

+49 2289 2939 079 DE Support
+41 43 508 55 97 CH Support
+31 38 7200 711 Europe General Support

nuvinci@hartje.com (DE & AT)
ch-service@nuvincicycling.com (CH)
eu-service@nuvincicycling.com (Europe)

www.nuvincicycling.com

NuVinci Cycling Support and Service – USA

Fallbrook Technologies Inc.

Cedar Park, Texas 78613, USA

1-888-NuVinci (688-4624) (USA Toll free)

Tel: +1 (512) 279-6200

Fax: +1 (512) 267-0159

support@nuvincicycling.com

www.nuvincicycling.com